



REN1Q & REN2Q

Reno LED Round & Square Bollards



REN1Q - Round Flat Top (Clear Lens)



REN2Q - Square Flat Top (Opal Lens)



REN1BQ - Round Dome Top



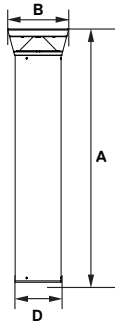
Shown with "S3" Sensor



REN2CQ - Square Pyramid Top



Shown with GFCI



Dimensions

Width (B)	9 1/4" (234mm)
Diameter (D)	7" (180mm)
Height (A)	Flat Top: 35 3/4" (908mm)
	Dome Top: 38 1/8" (968mm)
	Pyramid Top: 38 1/8" (968mm)

The SaySpec REN1Q and REN2Q LED Cutoff Bollards with UV-stabilized polycarbonate lenses and sealed optical compartments are designed to replace HID lighting systems up to 70w MH or HPS. These fixtures are ideal for retail centers, industrial parks, schools and universities, public transit and airports, office buildings and medical facilities.

SPECIFICATIONS AND FEATURES:

HOUSING:

Extruded Aluminum Housing with Flush Mounting Base & Vandal-Resistant Screws, Flat, Dome or Pyramid Tops, Internal Driver Tray for Easy Maintenance.

LISTING & RATINGS:

CSA: Listed for Wet Locations, ANSI/UL 1598, 8750
IP66 Sealed LED Compartment.

FINISH:

Textured Architectural Bronze or Black Powdercoat Finish Over a Chromate Conversion Coating. Custom Colors Available Upon Request.

REFLECTOR:

Reflective White UV-Stabilized Polycarbonate Cone Reflector

LENS:

Clear UV-Stabilized Polycarbonate or Opal UV-Stabilized Polycarbonate Vandal-Resistant Lens.

MOUNTING OPTIONS:

Mounting Kit with 8" Anchor Bolts, Included.

LED:

Aluminum Boards; 106,000 Hours of L70 LED Life (25°C)

WATTAGE:

Array: 16w, System: 17.7w; (70w HID Equivalent)
Array: 23w, System: 27w; (70w HID Equivalent)
Array: 34w, System: 37.2w; (70w HID Equivalent)

DRIVER:

Electronic Driver, 120-277V, 50/60Hz or 347V, 50/60Hz; Less Than 20% THD and PF>0.90. Standard Internal Surge Protection 2kV. 0-10V Dimming Standard for a Dimming Range of 100% to 10%; Dimming Source Current is 150 Microamps.

CONTROLS:

Fixtures Ordered with Factory-Installed Motion Sensor Controls are Internally Wired for Switching and/or 1-10V Dimming Within the Housing. Remote Direct Wired Interface of 1-10V Dimming is Not Implied and May Not Be Available. Please Consult Factory. Fixtures are Tested with SaySpec Controls and May Not Function Properly With Controls Supplied By Others. Fixtures are NOT Designed for Use with Line Voltage Dimmers.

WARRANTY:

5-Year Warranty for -20°C to +40°C Environment.

See Page 3 for Projected Lumen Maintenance Table.

Order Information Example:

REN2CGF1X23U4KCZ30SF

F

1X23

Model	Optic	Wattage	Driver	CCT	Lens	Color	Height	Options
REN1Q=Round Bollard, Flat Top REN1BQ=Round Bollard, Dome Top REN2Q=Square Bollard, Flat Top REN2CQ=Square Bollard, Pyramid Top	F=Wide Beam Spread	1X16=16w 1X23=23w 1X34=34w	U=120-277V C=347V* H=347-480V** *23w Model Only **34w Model Only	3K=3000K* 4K=4000K *REN2Q model only.	C=Clear UV-Stabilized Polycarbonate Vandal-Resistant Lens L=Opal UV-Stabilized Polycarbonate Vandal-Resistant Lens	Z=Bronze B=Black C=Custom (Consult Factory)	(Leave Blank)= 34 1/4" Standard Height 30=30" Height	SF*=Single Fuse DF*=Double Fuse SP=Surge Protection GF1=GFCI Outlet, 15A, 120V S3*=Internal Microwave Sensor BU*=Battery Backup, 90 Mins BUC*=Cold Start Battery Backup, -20°C, 90 Mins

*120-277V Models Only

Project Information:

PROJECT NAME: _____ FIXTURE TYPE: _____

COMPLETE CATALOG#: _____ DATE: _____

COMMENTS: _____

Certification & Listings:



ACCESSORIES & REPLACEMENT PARTS:



Mounting Accessories (Order Separately, Field Installed)

BOLAN4	Mounting Kit, Includes Bracket & Three (3) 4" Anchor Bolts
BOLAN8	Mounting Kit, Includes Bracket & Three (3) 8" Anchor Bolts
BOLAN12	Mounting Kit, Includes Bracket & Three (3) 12" Anchor Bolts
BOLAN15	Mounting Kit, Includes Bracket & Three (3) 15" Anchor Bolts
BREBASE*	Bollard Retrofit Base Kit Adapts New Bollards to Most Existing Bolt Patterns. Fits all SaySpec Bollards. Die Cast with Powdercoat Finish, Hardware Included. 1½" Dia. x 1½" H

*Specify Color: Z=Bronze, B=Black, C=Custom (Consult Factory)

Accessories (Order Separately, Field Installed)

P17122	Remote Programming Tool for P17121
--------	------------------------------------

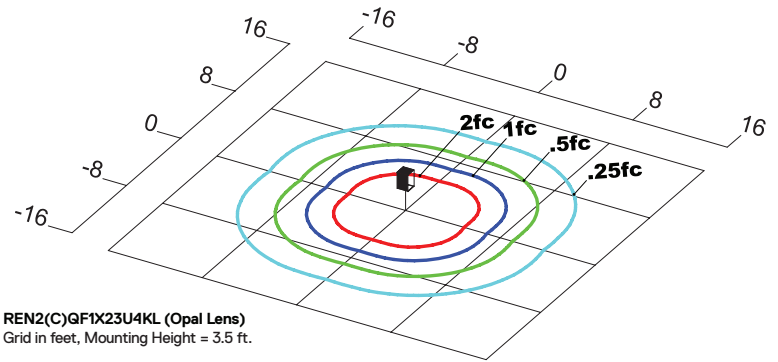
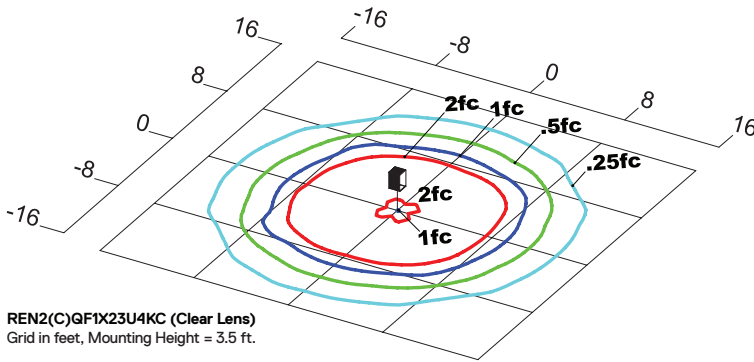
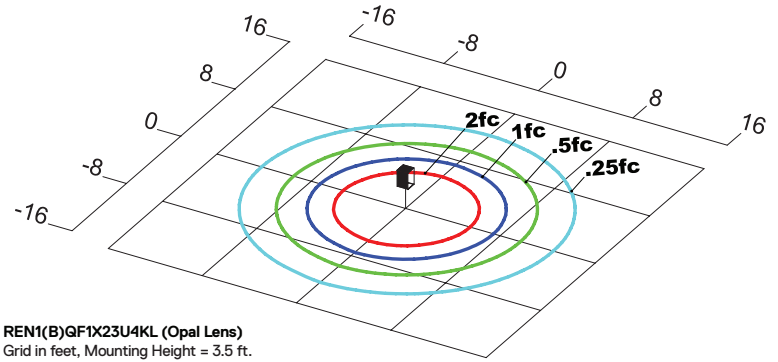
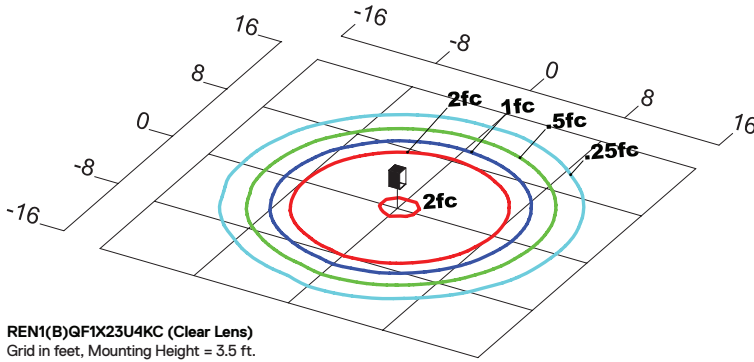
Replacement Parts (Order Separately, Field Installed)

P17121	Internal Microwave Sensor (120-277V Only)
BORBASE*	Die Cast Base Plate with Powdercoat Finish Over a Chromate Conversion Coating. Fits REN1.
BOSBASE*	Die Cast Base Plate with Powdercoat Finish Over a Chromate Conversion Coating. Fits REN2.
BOADP1	Adapter Plate with Gaskets for Outlet Boxes. Fits SaySpec Round Bollards. Die Cast with Bronze Powdercoat Finish.

*Specify Color: Z=Bronze, B=Black, C=Custom (Consult Factory)

*Shown Mounted

PHOTOMETRIC DATA





REN1Q & REN2Q

Reno LED Round & Square Bollards

PHOTOMETRIC PERFORMANCE

LED Board Watts	Drive Current (mA)	Input Watts	Bollards	4000 CCT 80 CRI					3000 CCT 80 CRI				
				Lumens	LPW	B	U	G	Lumens	LPW	B	U	G
LED 23w	116	27	REN1Q (Clear Lens)	2,093	78	1	3	1	-	-	-	-	-
			REN1Q (Opal Lens)	1,338	50	1	3	1	-	-	-	-	-
			REN2Q (Clear Lens)	2,133	79	1	3	1	1,966	73	1	3	1
			REN2Q (Opal Lens)	1,287	48	1	3	1	1,187	44	1	3	1

PROJECTED LUMEN MAINTENANCE

Data shown for 4000 CCT			Compare to MH			
TM-21-11	Input Watts	Initial	25,000 Hrs	50,000 Hrs	100,000 Hrs	Calculated L70@ 25°C
REN1 L70 Lumen Maintenance @ 25°C / 77°F	27	1.00	0.93	0.86	0.72	106,000
REN2 L70 Lumen Maintenance @ 25°C / 77°F	27	1.00	0.93	0.86	0.72	106,000
TM-21-11	Input Watts	Initial	25,000 Hrs	50,000 Hrs	100,000 Hrs	Calculated L70@ 50°C
REN1 L70 Lumen Maintenance @ 50°C / 122°F	27	1.00	0.91	0.83	0.66	88,000
REN2 L70 Lumen Maintenance @ 50°C / 122°F	27	1.00	0.91	0.83	0.66	88,000
TM-21-11	Input Watts	Initial	25,000 Hrs	50,000 Hrs	100,000 Hrs	Calculated L80@ 40°C
REN1 L80 Lumen Maintenance @ 40°C / 104°F	27	1.00	0.92	0.84	0.67	61,000
REN2 L80 Lumen Maintenance @ 40°C / 104°F	27	1.00	0.92	0.84	0.67	61,000

NOTES:

1. Projected per IESNA TM-21-11. Data references the extrapolated performance projections for the 116mA base model in a 25°C ambient, based on 10,000 hours of LED testing per IESNA LM-80-08.
2. Compare to MH box indicates suggested Light Loss Factor (LLF) to be used when comparing to Metal Halide (MH) systems.