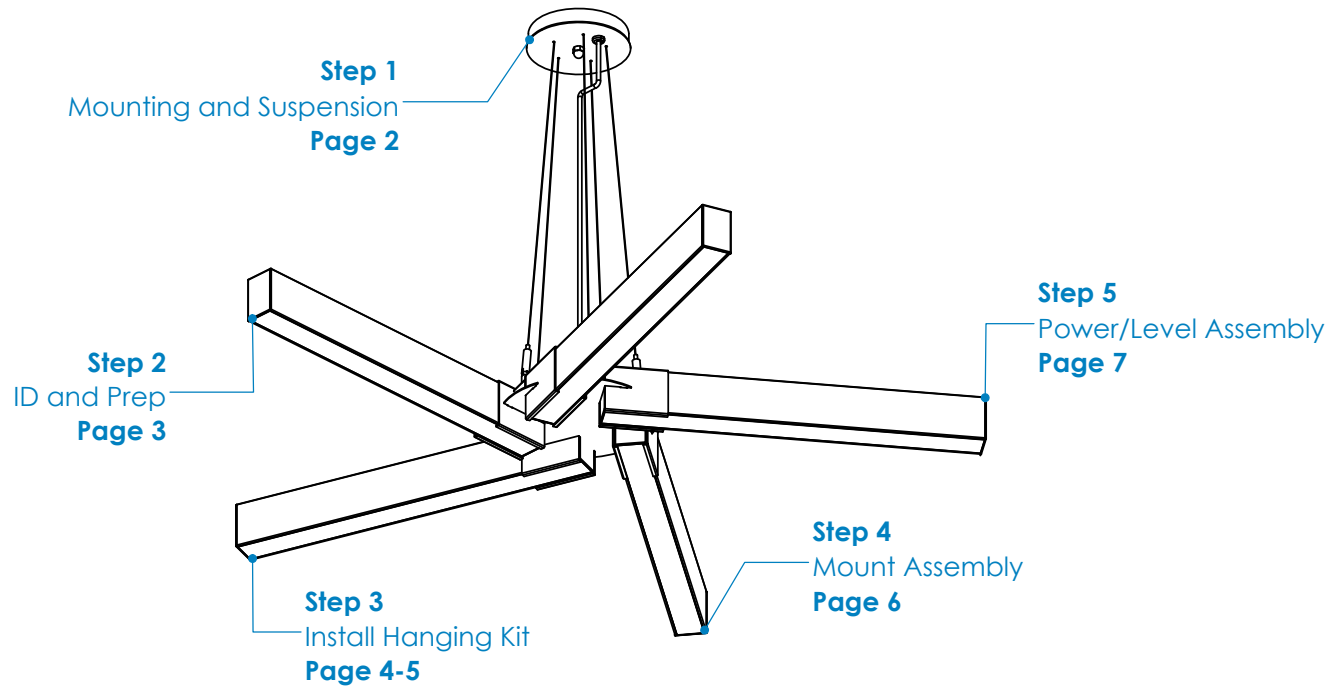


PLY23-Fans Installation Instructions

Overview

WARNINGS

- This product must be installed in accordance with all applicable codes by a person familiar with the product.
- Each fixture must be **properly supported** during install.
- **DO NOT** join fixtures on the floor prior to lifting, or damage will occur.
- **Before beginning installation**, review our complete list of warnings by visiting www.saylite.com/warnings.



Your particular build may vary.

2020© Saylite | 2055 Luna Road, Suite 142 Carrollton, Texas 75006 | www.saylite.com

PLY23-Fans Installation Instructions

Step 1 - Mounting and Suspension

Mounting Options

Drywall or other hard surfaces* - HC 912 Hanging Kit

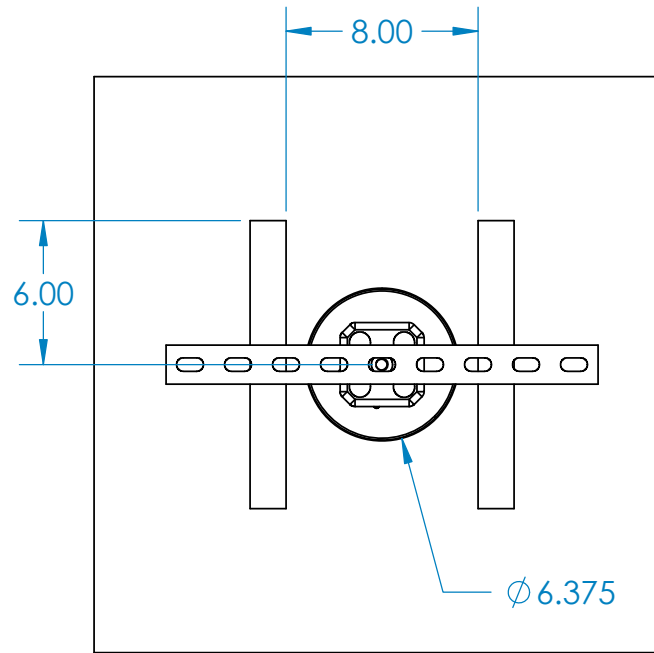
- Install hanging kits at suspension locations.
- Ensure hanging kits are secure.
- Prepare fixture for mounting.

*Other hard surfaces include: wood, sheet metal panels, steel beams, concrete or masonry. Use hardware appropriate for each surface and material type.

Suspension Locations

X = Suspension Dimensions

Refer to Assembly Drawings and building plans to determine exact mounting, suspension points, and power feed locations.



NOTE: This instruction set shows general installation instructions for the HKL23 line of fixtures. There are many different configurations and variations of fixtures, some may not be shown but will follow the same basic guidelines for installation.

PLY23-Fans Installation Instructions

Step 2 - Identification and Preparation

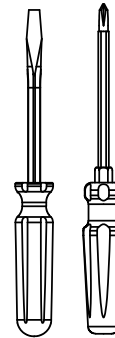
A. Identify Fixtures

Saylite LED
Texas Fluorescents Reinvented

PART# PLY23PFRXXLQUXXDXXDMVXXXXK-FX

VOLTAGE: 120-277, 50/60HZ	CCT: XXX
WATTAGE: XX MAX	DATE CODE: XX/XX/XX
FLUX: XXXX LUMENS	TYPE: XX

B. Tools Needed



Screwdrivers



Pliers



Safety Glasses

- Use labels found on the box and inside the fixture bodies to identify bodies.
- **NOTE:** Locations of labels can vary.
- Remove all fixtures from their boxes.
- Organize fixtures based on their labels at the install location.

- Always use proper safety equipment when installing fixtures.
- Tools shown are recommended for standard install. Tools needed may vary based on actual install location conditions.

Kitted Hardware

- Saylite has provided the items listed here, with their Saylite part numbers listed. These items can be found in separate boxes shipped with the fixture.
- Ensure all parts are accounted for and set them aside until needed.
- Any additional hardware needed for this installation will be provided by others.

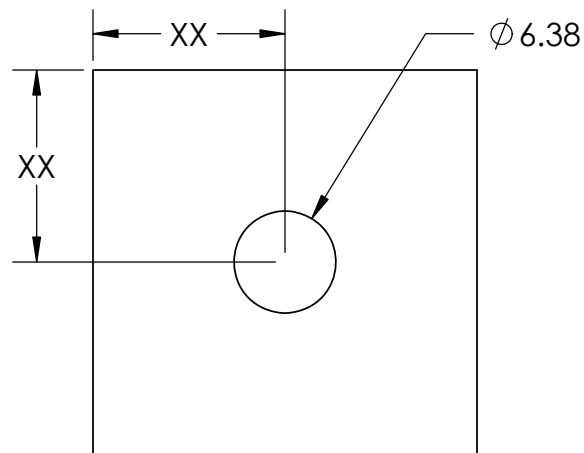


M5-0.8X25 mm Screws
QTY: 2x per fixture in assembly
P/N: **DBRPHSM5X25PHSS**

PLY23-Fans Installation Instructions

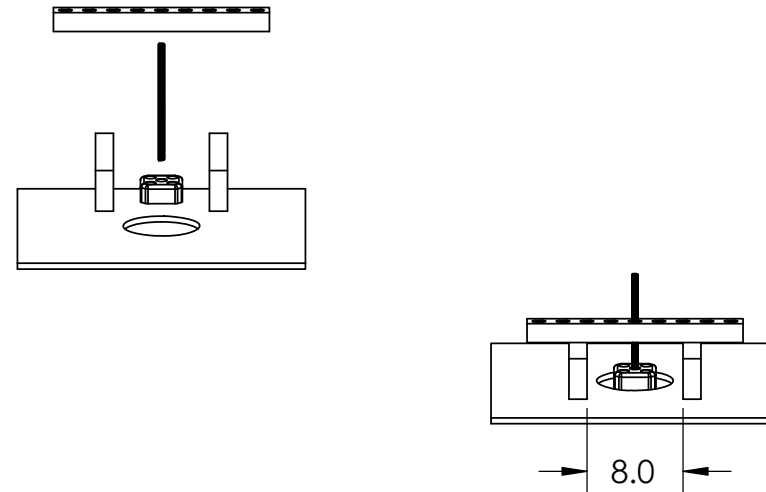
Step 3 - Install Hanging Kit

A. Make Cut Out



- Use a utility knife or equivalent tool to cut a hole in the ceiling for the PLY23 canopy to insert to.
- Location of hole to be determined by customer.

B. Install Bracing

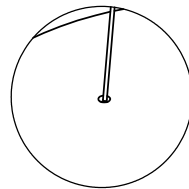
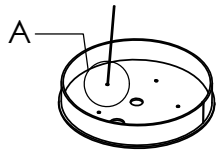


- Install the unistrut and 2X4 studs to the ceiling as shown. Studs should be spaced at least 8" apart.
- Use all thread to secure the junction box to the unistrut. Note that all thread and bracing must be able to support fixture weight (minimum 100 lbs).

PLY23-Fans Installation Instructions

Step 3 - Install Hanging Kit (Cont'd)

A. Insert Aircraft Cables

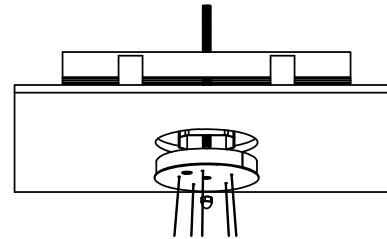


DETAIL A
SCALE 1 : 2

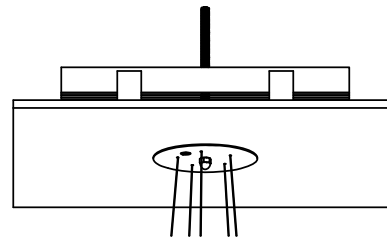


- Insert the aircraft cables to the PLY23 canopy, ensuring the cable stop is on top of the canopy.
- Pull thru all aircraft cables until the cable stop hits the top side of the PLY23 canopy.

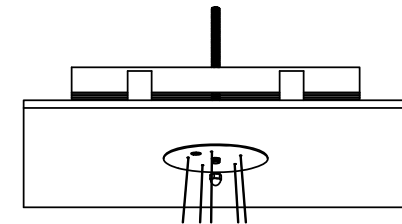
B. Install to Ceiling



Insert All Thread



Installed



Secure with Nut

- Install the canopy with aircraft cables to the ceiling.
- Insert the all thread thru the center hole in the canopy and use the provided decorative nut to secure the canopy to the ceiling.
- Tighten the decorative nut 1/4 turn using pliers or equivalent.

NOTE: Depending on the fan configuration, the number of aircraft cables may differ from what is shown. This instruction guide shows a -F5 configuration.

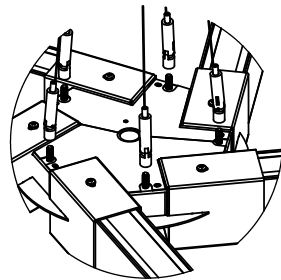
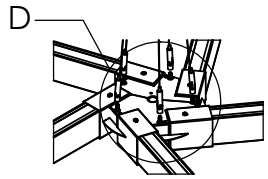
PLY23-Fans Installation Instructions

Step 4 - Mount the Assembly

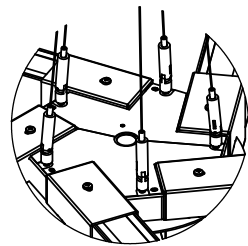
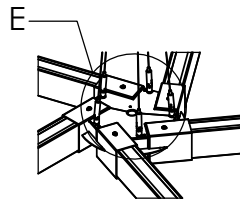


Texas Fluorescents Reinvented

A. Install Swivels to Bracket



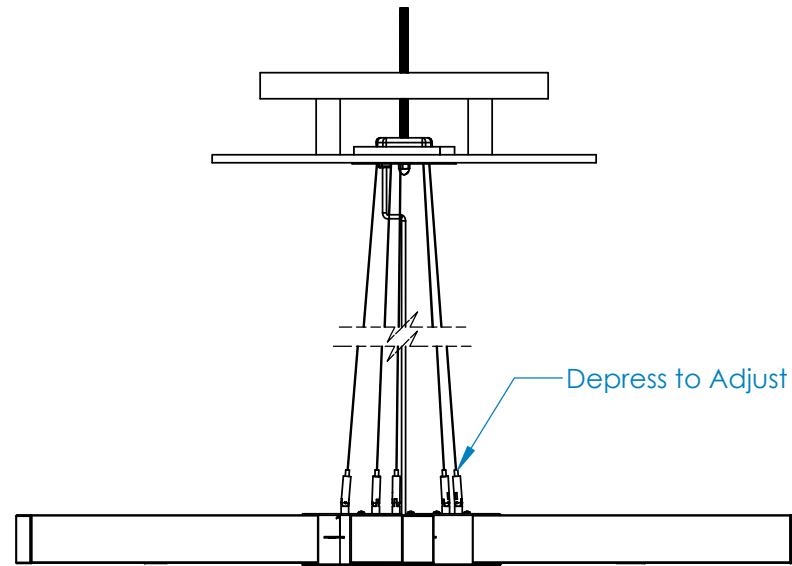
DETAIL D
SCALE 1 : 8



DETAIL E
SCALE 1 : 8

- Install the swivels to the PLY23 bracket.
- Align the swivels such that the plane of rotation is oriented with the center of the bracket.
- Tighten the swivels 1/4 turn using pliers to ensure they are secured to the bracket.

B. Adjust Hanging Cables

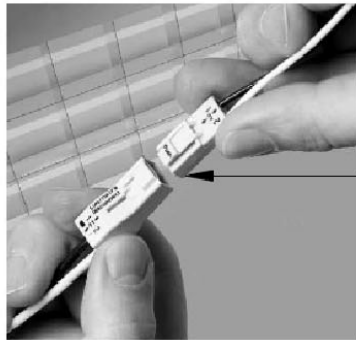
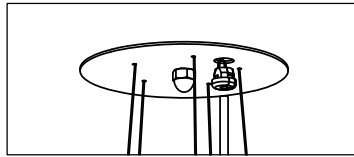


- Depress the clutch and slide the cable thru until desired length is reached. Snip excess cable.

PLY23-Fans Installation Instructions

Step 5 - Wire and Level Assembly

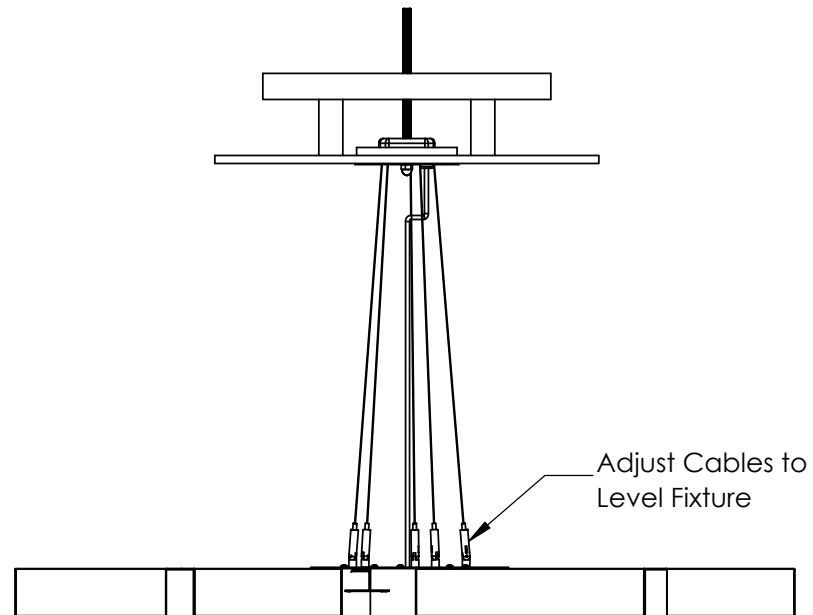
A. Wire the Assembly



WIRING LEGEND		
BLACK	HOT	Line Voltage
WHITE	NEUTRAL	Line Voltage
GREEN	GROUND	
GRAY	DIMMING	0-10V DC
VIOLET	DIMMING	0-10V DC

- Wire 'main fixture' to incoming power supply according to all local, state, and national codes. Use UL approved connectors only. Utilize wiring legend shown above.
- Insert the power cable into the wire strain relief, and push the wire strain relief into the canopy until it clicks into place.

B. Level Assembly



- Make final adjustments of cables if needed, ensuring fixture is level.
- Fixture installation is now complete.