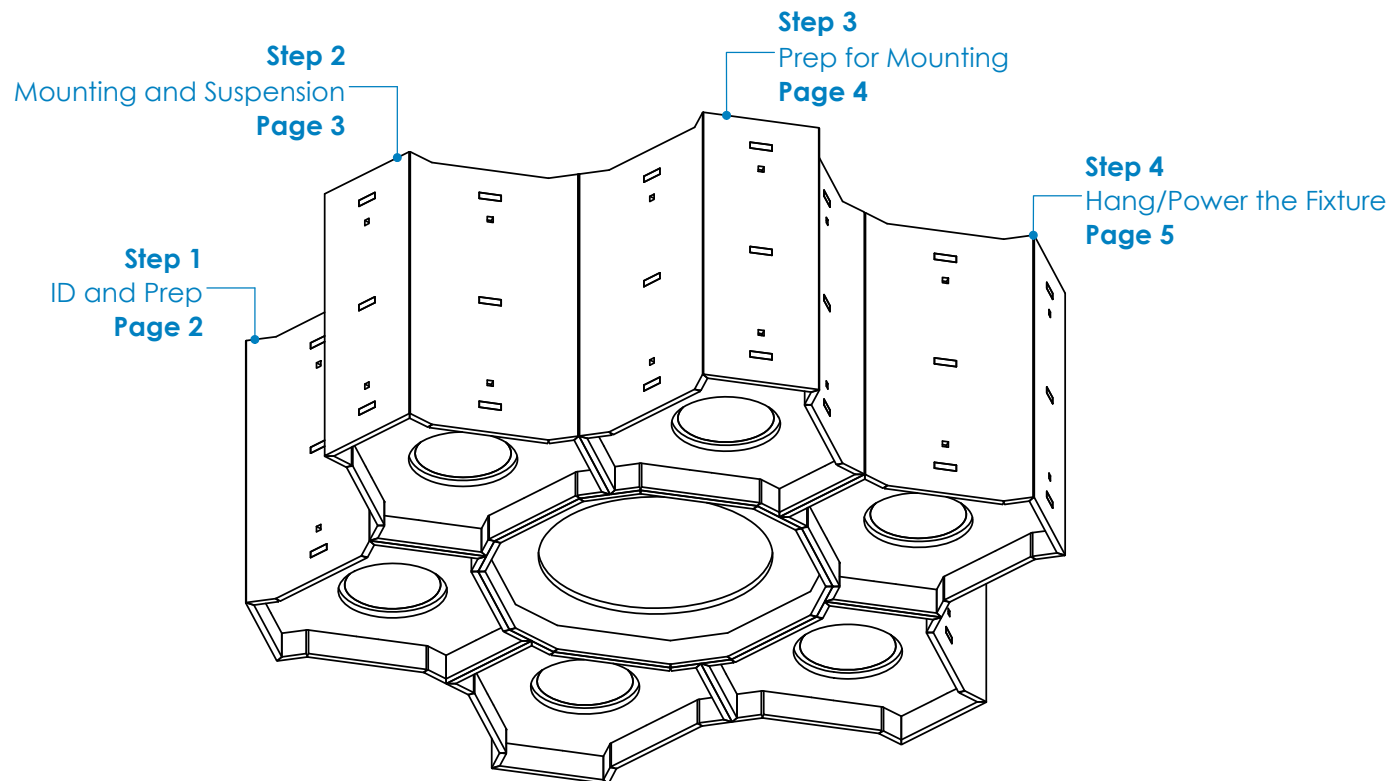


GAD Installation Instructions

Overview

WARNINGS

- This product must be installed in accordance with all applicable codes by a person familiar with the product.
- Each fixture must be **properly supported** during install.
- **DO NOT** join fixtures on the floor prior to lifting, or damage will occur.
- **Before beginning installation**, review our complete list of warnings by visiting www.saylite.com/warnings.



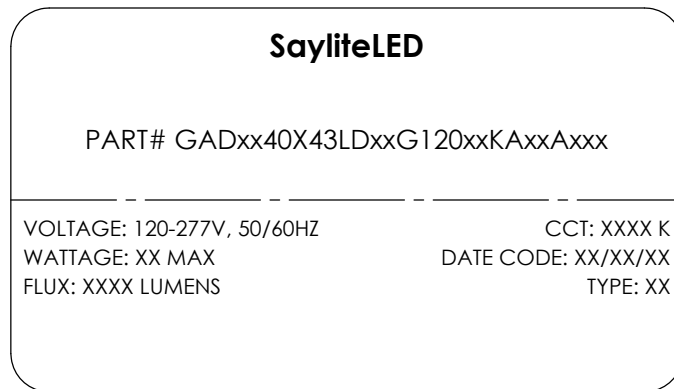
Your particular build may vary.

2020© Saylite | 2055 Luna Road, Suite 142 Carrollton, Texas 75006 | www.saylite.com

GAD Installation Instructions

Step 1 - Identification and Preparation

A. Identify Fixtures



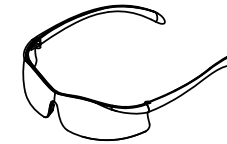
B. Tools Needed



Screwdriver



Pliers



Safety Glasses

- Use labels found on the box and inside the fixture bodies to identify bodies.
- **NOTE:** Locations of labels can vary.
- Remove all fixtures from their boxes.
- Organize fixtures based on their labels at the install location.

- Always use proper safety equipment when installing fixtures.
- Tools shown are recommended for standard install. Tools needed may vary based on actual install location conditions.

Kitted Hardware

- Saylite has provided the items listed here, with their Saylite part numbers listed. These items can be found in separate boxes shipped with the fixture.
- Ensure all parts are accounted for and set them aside until needed.
- Any additional hardware needed for this installation will be provided by others.

GAD Installation Instructions

Step 2 - Mounting and Suspension

Mounting

Drywall or other hard surfaces - HC 605 Hanging Kit

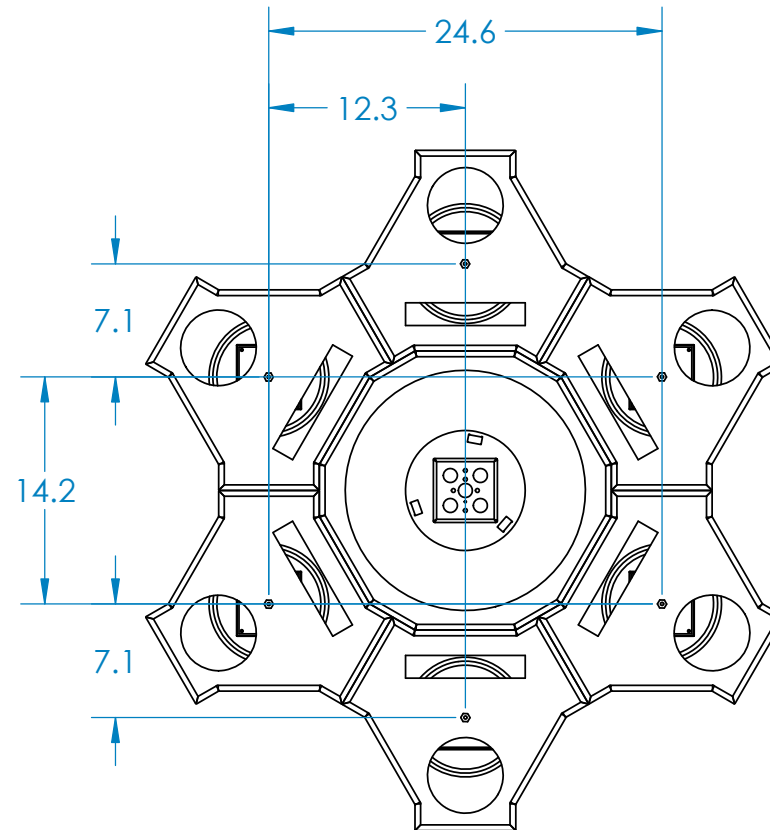
- Install hanging kits at suspension locations.
- Ensure hanging kits are secure.
- Prepare fixture for mounting.

Other hard surfaces include: wood, sheet metal panels, steel beams, concrete or masonry. Use hardware appropriate for each surface and material type.

Suspension Locations*

X = Suspension Dimensions

Refer to Assembly Drawings and building plans to determine exact mounting, suspension points, and power feed locations.

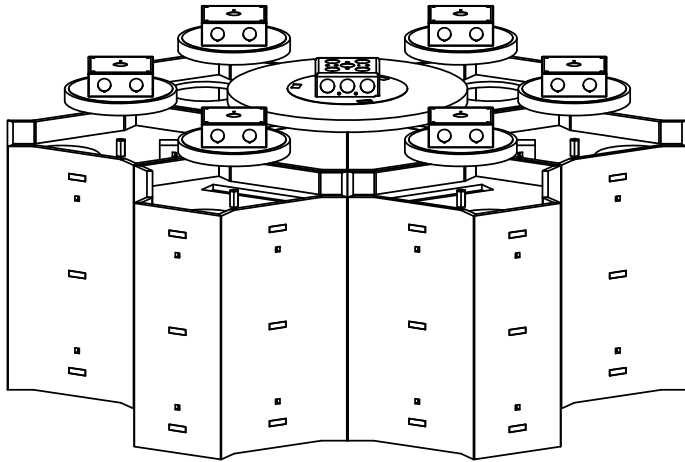


NOTE: The suspension dimensions shown are approximate, verify ALL suspension dimensions prior to installing the fixture. Failure to verify ALL suspension dimensions can result in angled hanging cables or non-level installed fixture.

GAD Installation Instructions

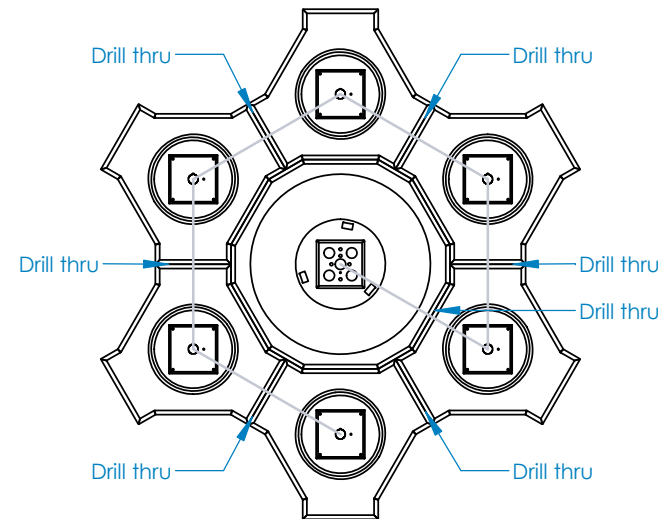
Step 3 - Prepare the Fixture for Mounting

A. Insert LED Fixture(s)



- Lay the LED fixtures into the acoustic assembly. Ensure that the smaller LED fixtures are inserted to the outer housings and the largest LED fixture is inserted to the central housing.

B. Connect Fixture Wiring

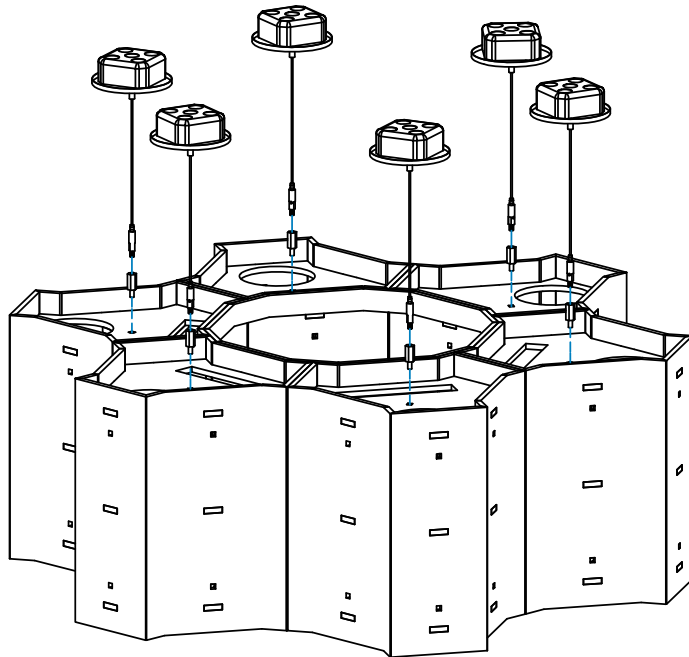


- Drill or cut a small hole in the acoustic material such that fixture wiring can pass thru the walls noted above.
- Starting with the outer fixtures, feed fixture wiring thru the holes and connect to the adjacent fixture. Continue connecting fixture wiring in parallel until the final outer fixture is reached. Connect the final outer fixture wiring to the inner fixture.

GAD Installation Instructions

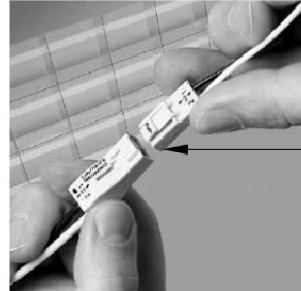
Step 4 - Hang and Power the Fixture

A. Install Couplers and Hang Fixture



- Install the provided hanging kit adaptors to the fixture at each hanging point.
- Install the threaded ends of the hanging cables to the adaptors to suspend the fixture.
- Adjust the length of the cables as needed to level the fixture.

B. Power the Fixture



| WIRING LEGEND | | |
|---------------|---------|--------------|
| BLACK | HOT | Line Voltage |
| WHITE | NEUTRAL | Line Voltage |
| GREEN | GROUND | |
| GRAY | DIMMING | 0-10V DC |
| VIOLET | DIMMING | 0-10V DC |

- Wire fixtures to the incoming power supply using the provided quick disconnect clip as shown.
- For dimming option, refer to wiring legend above.
- Use UL approved connectors only. Follow all local, state and national codes.
- Fixture installation is now complete.